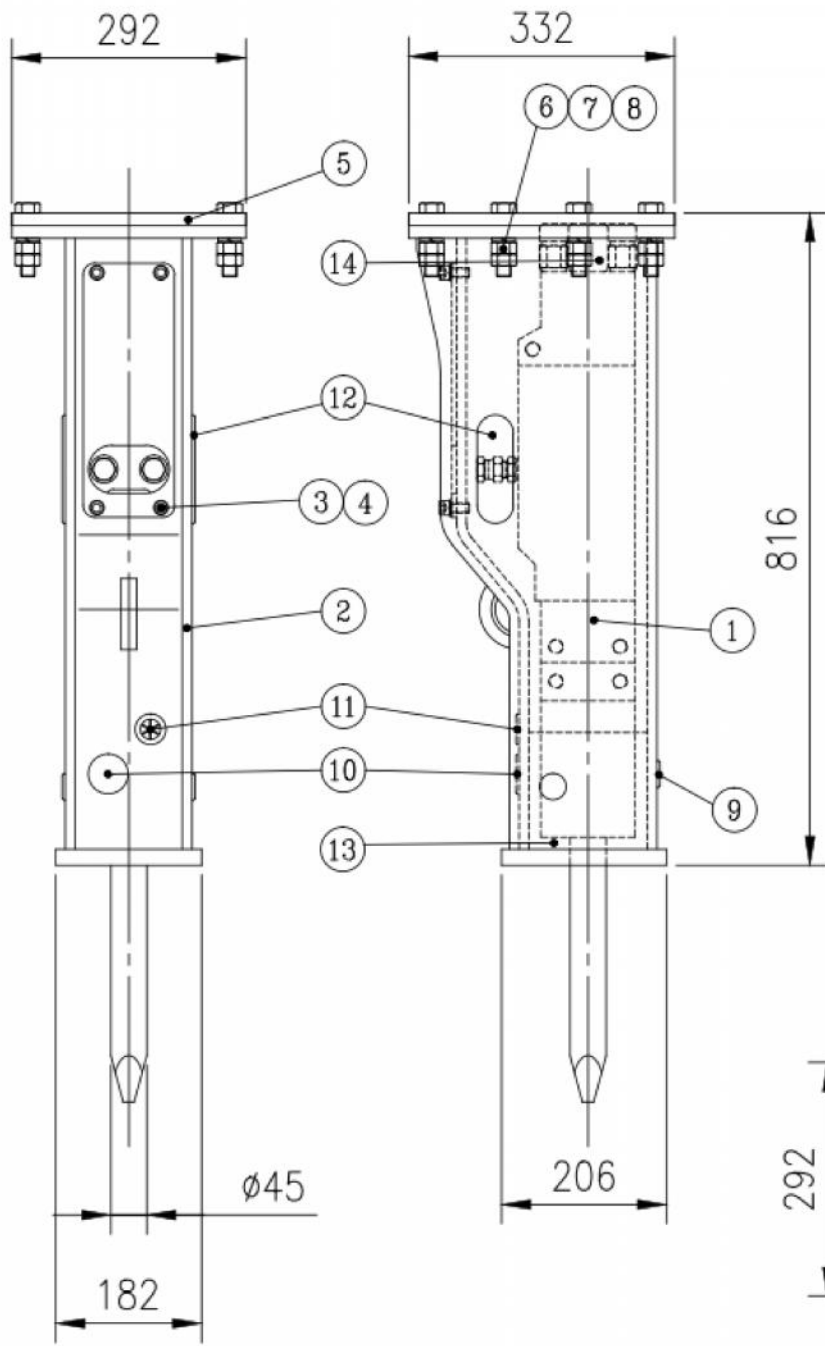


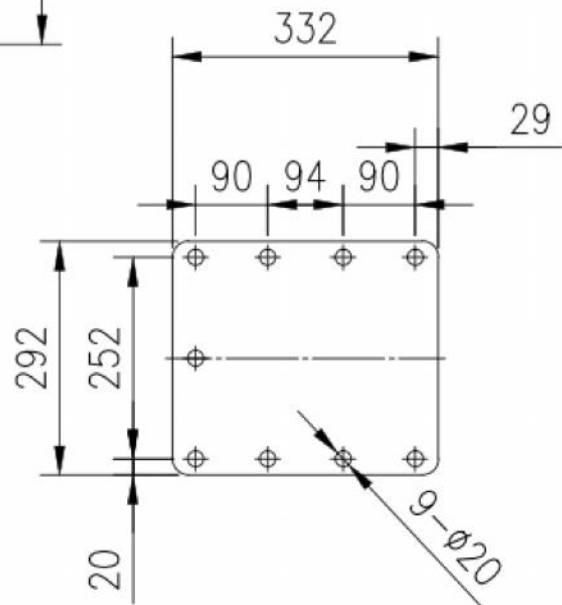
# EUROGRAB SH200

기호 No	년월일 Date	변경내용 Description of Revision	설계 Dsgn	검토 Chkd	승인 Appd
-------	----------	------------------------------	---------	---------	---------



Technical Specification		
Suitable Excavator	ton	1.2~3.0
	lb	2646~6614
Operating Weight Box Type	kg	139
	lb	306
Required Oil Flow	l/min	24~40
	gal/min	5.3~10.6
Setting Pressure	bar	150
	psi	2134
Operating Pressure	bar	90~120
	psi	1280~1707
Impact Rate	bpm	700~1200
Hose Diameter	inch	$\frac{3}{8}$ , $\frac{1}{2}$ "
	mm	45
Tool Diameter	mm	45
	inch	1.8

Tightening Torque & Gas Pressure		
through bolt nut	kg.m	25~30
Acc body Socket bolt	kg.m	-
Acc cover Socket bolt	kg.m	-
Accumulator cap & plug	kg.m	-
Side bolt	kg.m	60
Back head gas pressure	kg/cm <sup>2</sup>	16.5
	psi	235
accumulator gas pressure	kg/cm <sup>2</sup>	-
	psi	-



Part No	도번 Dwg' No	품명 Description	재료 Mat'l	수량 Qty	규격 Spec & Size	비고 Remark
14	SB10/20	UPPER DAMPER		1		
13	SB20	LOWER DAMPER		1		
12	PL12535	ADAPTER PLUG		2		
11	PL3012X	GREASE PLUG		1		
10	PL4013	TOOL PIN PLUG		1		
9	PL2510	STOP PIN PLUG		3		
8	HN1825	HEX.NUT		16		
7	SW18	SPRING WASHER		8		
6	HB182580	HEX.BOLT		8		
5	200M-6103	UPPER PLATE		1		
4	SW12	SPRING WASHER		4		
3	WB1217525	WRENCH BOLT		4		
2	200M-6101	FRAME		1		
1	200M-1100	MAIN BODY ASS'Y		1		

기호(MODEL)	도명 Dwg. NAME	비고 SCALE
200M	BOX BRACKET ASS'Y	1:6
		중량 W.T.(kg)

[WWW.EUROGRAB.NL](http://WWW.EUROGRAB.NL)  
[INFO@EUROGRAB.NL](mailto:INFO@EUROGRAB.NL)
