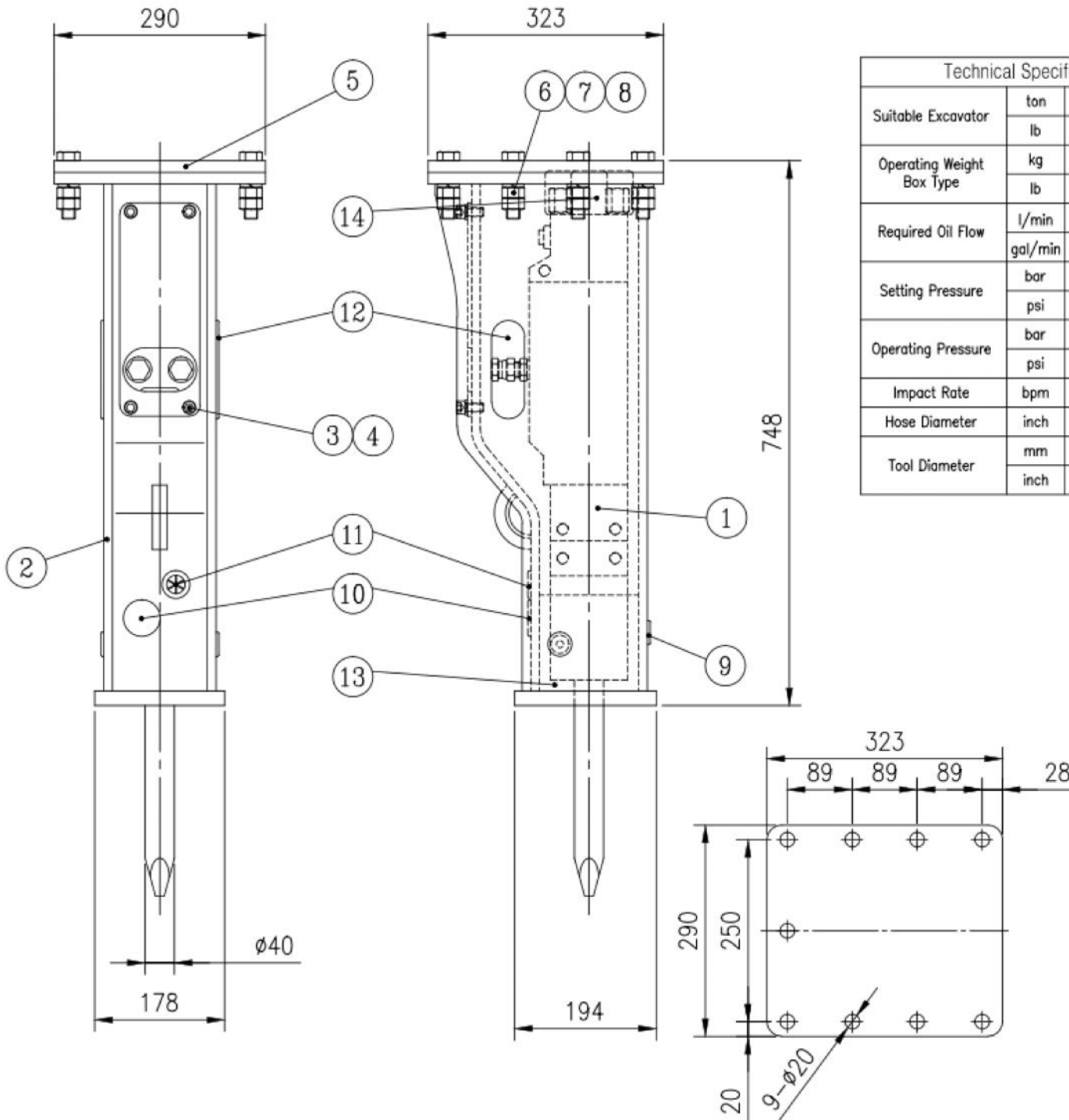


EUROGRAB SH100

기호 No	년월일 Date	변경 내용 Description of Revision	설계 Dsgn	검토 Chkd	승인 Appd
-------	----------	-------------------------------	---------	---------	---------



Technical Specification		
Suitable Excavator	ton	0.8~2.5
	lb	1764~5512
Operating Weight Box Type	kg	113
	lb	249
Required Oil Flow	l/min	15~30
	gal/min	4.0~8.0
Setting Pressure	bar	150
	psi	2134
Operating Pressure	bar	90~120
	psi	1280~1707
Impact Rate	bpm	800~1400
Hose Diameter	inch	3/8", 1/2"
Tool Diameter	mm	40
	inch	1.6

Tightening Torque & Gas Pressure		
through bolt nut	kg.m	25~30
Acc body Socket bolt	kg.m	-
Acc cover Socket bolt	kg.m	-
Accumulator cap & plug	kg.m	-
Side bolt	kg.m	60
Back head gas pressure	kg/cm ²	16.5
	psi	235
accumulator gas pressure	kg/cm ²	-
	psi	-

Part No	Dwg' No	Description	재질 Mat'l	수량 Qty	Spec & Size	Remark
14	SB10	UPPER DAMPER		1		
13	SB10/20	LOWER DAMPER		1		
12	PL12535	ADAPTER PLUG		2		
11	PL3012X	GREASE PLUG		1		
10	PL4013	TOOL PIN PLUG		1		
9	PL2510	STOP PIN PLUG		3		
8	HN1825	HEX.NUT		16		
7	SW18	SPRING WASHER		8		
6	HB182580	HEX.BOLT		8		
5	100M-6103	UPPER PLATE		1		
4	SW12	SPRING WASHER		4		
3	WB1217525	WRENCH BOLT		4		
2	100M-6101	FRAME		1		
1	100M-1100	MAIN BODY ASS'Y		1		

(MODEL)	도 명 DWG. NAME	BOX BRACKET ASS'Y	SCALE 1:5
100M			W.T.(kg)

WWW.EUROGRAB.NL
INFO@EUROGRAB.NL

